

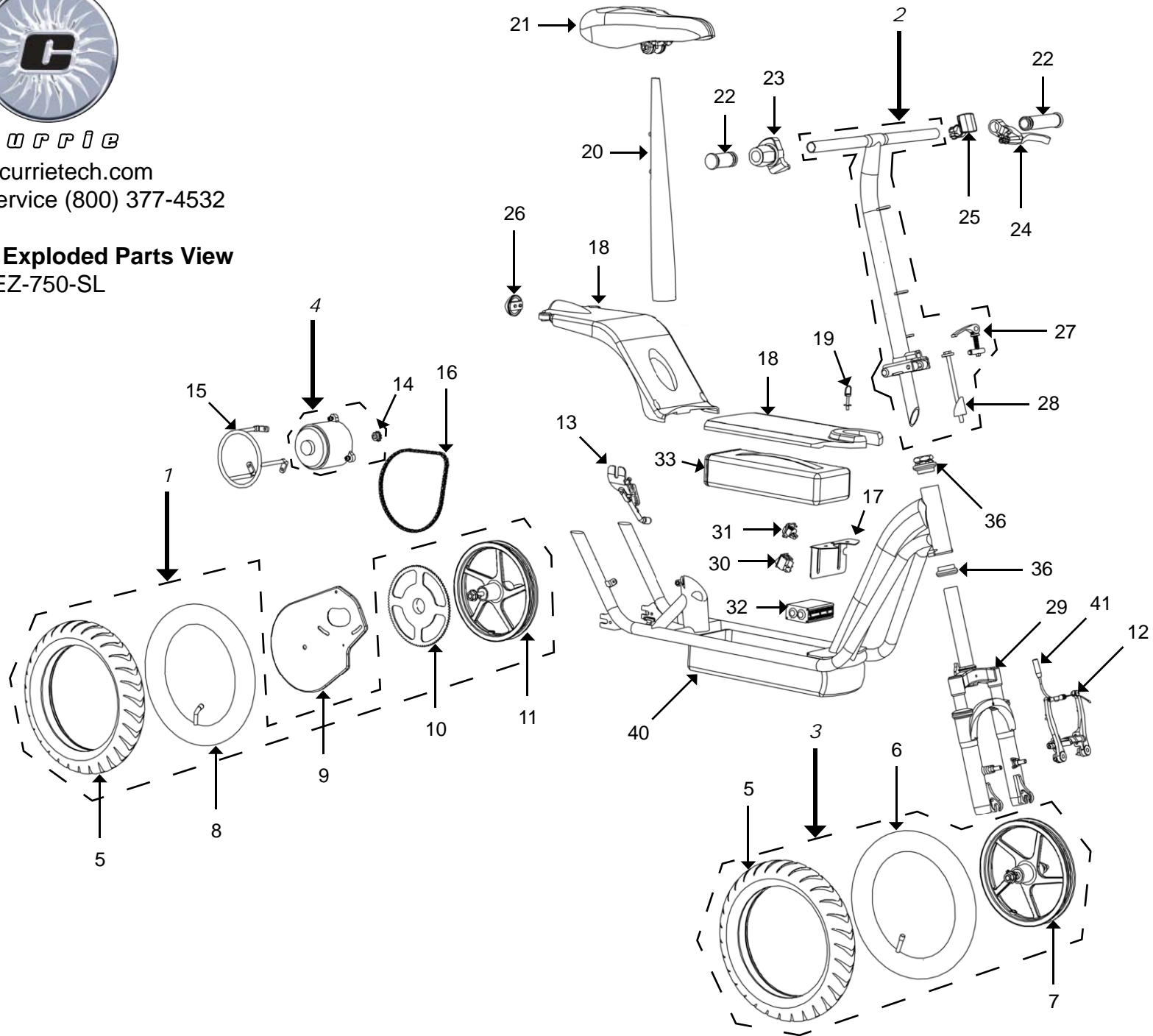


Currie

www.currietechnology.com

Customer Service (800) 377-4532

**750 Scooter Exploded Parts View
EZ-750-SL**



| Diagram # | Description | Part # |
|-----------|-------------------------------------|----------------|
| 1 | Rear Wheel Assembly | WH-12R-003A |
| 2 | Handlebar Assembly | HB-FD6Q-430A |
| 3 | Front Wheel Assembly | WH-416-1 |
| 4 | Motor | MT-24750-001S |
| 5 | Tire | TT-416 |
| 6 | Tube (front) | TT-421 |
| 7 | Wheel (front) | WH-12F-001A |
| 8 | Tube (rear) | TT-422 |
| 9 | Motor Plate | SD-5006-1 |
| 10 | Sprocket | SD-350 |
| 11 | Wheel (rear) | WH-916 |
| 12 | Brake (linear pull type) | SP-450 |
| 13 | Kickstand | AS-450 |
| 14 | Motor Gear | SD-250-5 |
| 15 | Motor Guard | SD-185 |
| 16 | Chain | SD-365 |
| 17 | Controller Plate | n/a |
| 18 | Deck (Black w/out graphics) | SF-1506-1 |
| 19 | Deck Quick Release Screw | SF-450-2 |
| 20 | Seat Tube | SU-500480-9000 |
| 21 | Seat | SE-CL7810 |
| 22 | Grips (left & right) | AS-355-2 |
| 23 | Throttle | TH-XH2DL-002A |
| 24 | Brake Lever w/ Inhibitor | BL-H430AD-L02 |
| 25 | Reflector (front) | AS-460 |
| 26 | Reflector (rear) | AS-965 |
| 27 | Handlebar Quick Release | AS-321-1 |
| 28 | Stem Bolt & Wedge | HW-BW-005 |
| 29 | Fork (Black w/out graphics) | SF-STK6-3 |
| 30 | Switch | BA-080 |
| 31 | Charger Port | BA-071-7 |
| 32 | Controller | CT-2430-002A |
| 33 | Battery Pack | BA-PK24-002A |
| 34 | Wire Harness - Complete (not shown) | WR-DME090C |
| 35 | Brake Cable (not shown) | SP-410 |
| 36 | Headset | n/a |
| 37 | Fuse (not shown) | AU-062 |

| Diagram # | Description | Part # |
|-----------|-------------------------------------|----------------|
| 38 | Charger (not shown) | AU-097 |
| 39 | Charger (Fast) Optional (not shown) | AU-092-4 |
| 40 | Frame | n/a |
| 41 | Brake Power Modulator | BR-PC380A-001A |

