



**Currie**

www.currietechnology.com

Customer Service (800) 377-4532

### 1000 Scooter Exploded Parts View

EZ-1000-BL

IZ-10008-BL

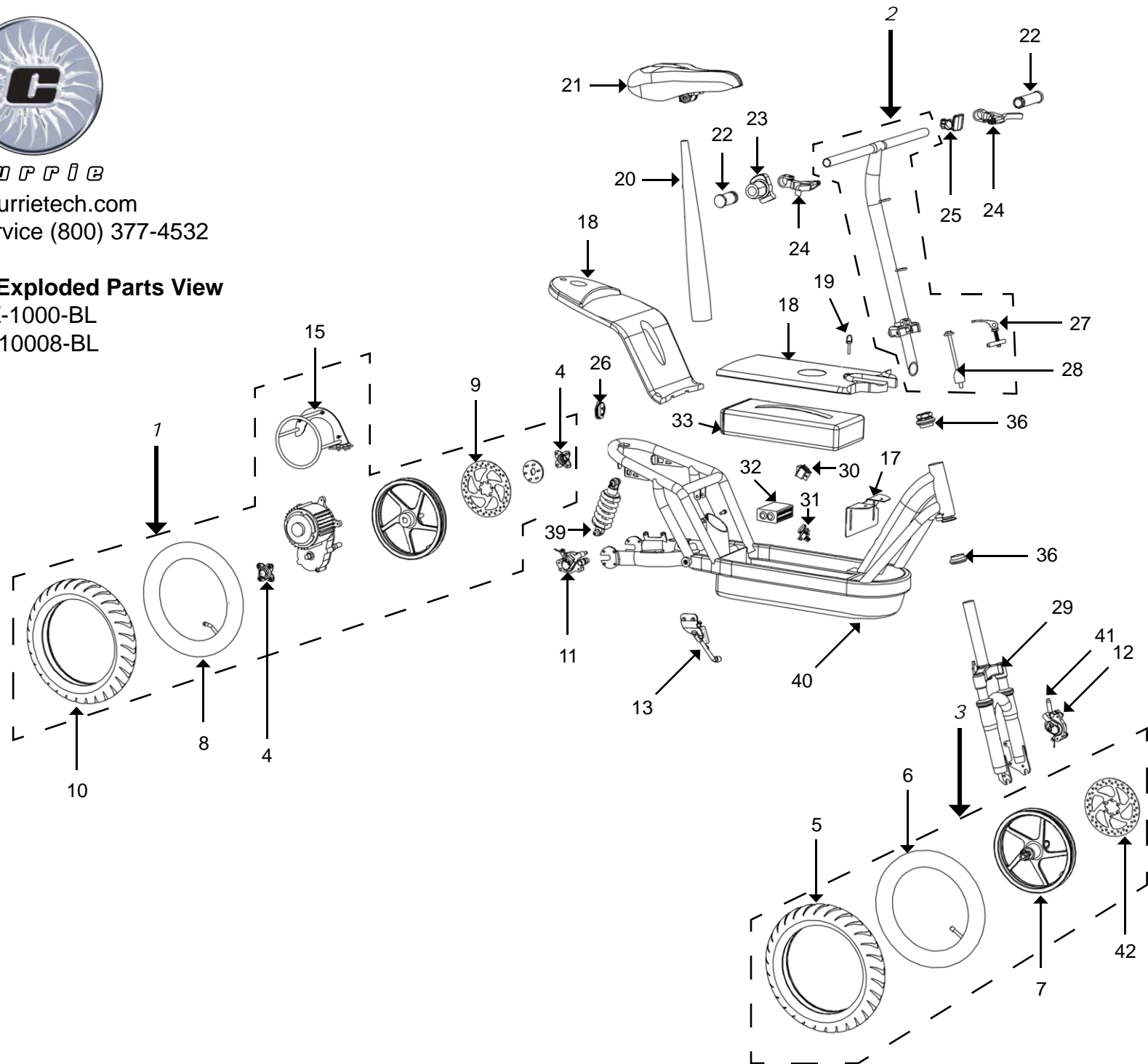


Diagram #	Description	Part #
1	Rear Wheel Assembly	WH-12R-1000A
2	Handlebar Assembly	HB-FD6Q-430A
3	Front Wheel Assembly	WH-1005-3
4	Bearing Caps (includes bearings)	WH-HW-002A
5	Tire (front)	TT-416
6	Tube (front)	TT-421
7	Wheel (front)	WH-12F-003A
8	Tube (rear)	TT-422
9	Brake Disk Rotor (rear) (style may differ from shown)	BR-ZDA160Z
10	Tire (rear)	TT-416
11	Brake (disk type) (rear)	BR-YK2-002A
12	Brake (disk type) (front)	BR-YK2-002A
13	Kickstand	AS-STK6-1
14	n/a	n/a
15	Motor Guard	MT-T1000DJ06
16	n/a	n/a
17	Controller Plate	n/a
18	Deck (Black w/out graphics)	SF-1506-1
19	Deck Quick Release Screw	SF-450-2
20	Seat Tube	SU-500480-9183
21	Seat	SE-CL7810
22	Grips (left & right)	AS-355-2
23	Throttle	TH-XH2DL-003A
24	Brake Levers w/ Inhibitors (pair)	BL-H456D-LR02
25	Reflector (front)	AS-460
26	Reflector (rear)	AS-965
27	Handlebar Quick Release	AS-321-1
28	Stem Bolt & Wedge	HW-BW-005
29	Fork (Black w/out graphics)	FK-ALFK15-YS728
30	Switch	BA-080
31	Charger Port	BA-071-7
32	Controller	SD-10007-1
33	Battery Pack	AC-BAT2-PK
34	Wire Harness - Complete (not shown)	WR-DME340S
35	Brake Cable (front) (not shown)	SP-910
36	Headset	n/a
37	Fuse (not shown)	AU-062

Diagram #	Description	Part #
38	Charger (not shown)	AU-365
39	Rear Shock	SF-STK6-1
40	Frame	n/a
41	Brake Power Modulator	BR-PC380A-001A
42	Brake Disk Rotor (front) (style may differ from shown)	BR-ZDA160Z
43	Brake Cable (rear) (not shown)	SP-913

Throttle lights and corresponding battery pack voltages. All values are +/- 0.5v.

- Green = > 35.5v
- Yellow = < 32v - 35.5v >
- Red = < 32v

